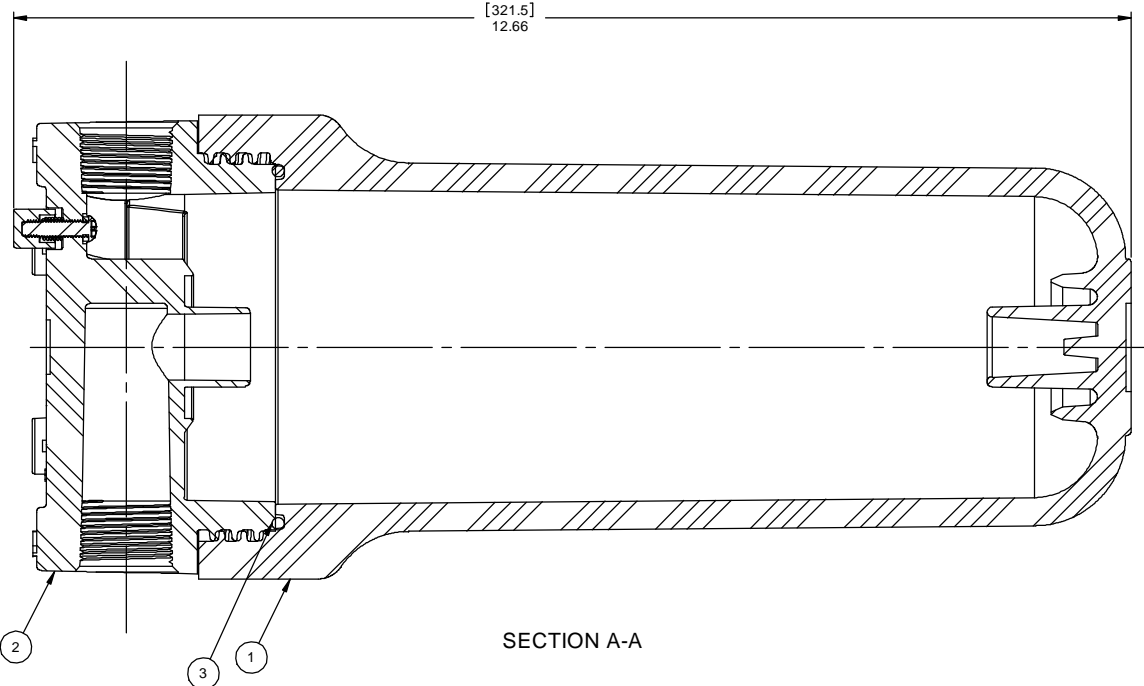
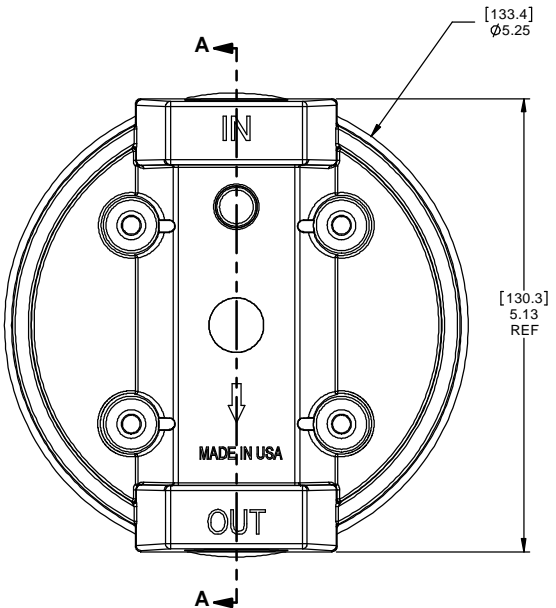


REVISIONS					
ZONE	ECN	REV.	DESCRIPTION	DATE	APPD.
	32148	A	DRAWING RELEASED FOR SALES	06/02/2011	T.CLARKE



SECTION A-A

3	143011	O-RING, #241, BUNA-N	1	1	1	1	1
2	154116	CAP BL PP 3/4" MB PR	1	-	-	-	-
	154115	CAP BK PP 3/4" MB PR	-	1	-	-	-
	154017	CAP BK 3/4" MB (MOLD)	-	-	-	1	-
	154018	CAP BL 3/4" MB (MOLD)	-	-	1	-	-
	154033	CAP BK 3/4"BT MB (MOLD)	-	-	-	-	1
1	153128	#10 SMP, ST, CL, SA	1	1	1	1	-
	153001	#10 SMP ST BL PP #1	-	-	-	-	1
ITEM NO.	PART NUMBER	DESCRIPTION	150071	150435	150072	150436	150103

LAST SAVED IN SMARTTEAM/6/2011 10:48:55 AM

CRITICALITY SYMBOLS PER QPSP-001.2
 LEVEL I LEVEL II LEVEL III

THIS DOCUMENT IS SOLELY THE PROPERTY OF PENTAIR WATER TREATMENT. REPRODUCTION, USE, ENCLOSURE, OR TRANSMISSION OF THIS DOCUMENT OR DETAILS CONTAINED HEREIN, IN PART OR IN WHOLE, IS PROHIBITED WITHOUT THE WRITTEN CONSENT OF PENTAIR WATER TREATMENT ENGINEERING. THIS DOCUMENT AND ANY COPIES SHALL BE RETURNED TO PENTAIR WATER TREATMENT UPON WRITTEN REQUEST.

DO NOT SCALE DRAWING. DIMS. ARE IN INCHES (mm) UNLESS OTHERWISE SPECIFIED.
 INTERPRET DIMS AND TOLERANCES PER ASME Y14.5M-1994 UNLESS OTHERWISE SPECIFIED.
 CORNER FILLETS R.005-.020 (127-508)
 TOLERANCES:
 ANGLES: ± 1°
 1 PLACE .X ± .015 (0.38)
 2 PLACE .XX ± .01 (0.3)
 3 PLACE .XXX ± .005 (0.13)

THE COMPONENT, PART, OR ASSEMBLY DESCRIBED IN THIS DOCUMENT MUST COMPLY WITH THE EU (EUROPEAN UNION) DIRECTIVE 2002/96/EC.
 THIS DRAWING MUST BE COMPARED TO THE ERP SYSTEM TO ENSURE CORRECT REVISION LEVEL PRIOR TO USE.

THIRD ANGLE PROJECTION

APPROVALS	DATE
T. CLARKE	06/02/2011

Pentair Water Pentair Residential Filtration

TITLE: #10 BL/CL 3/4" MB PR

SCALE: 1:1 DWG NO.: 150071S REV A

SCALE: 1:1 SOLIDWORKS FORMAT SHEET 1 OF 1